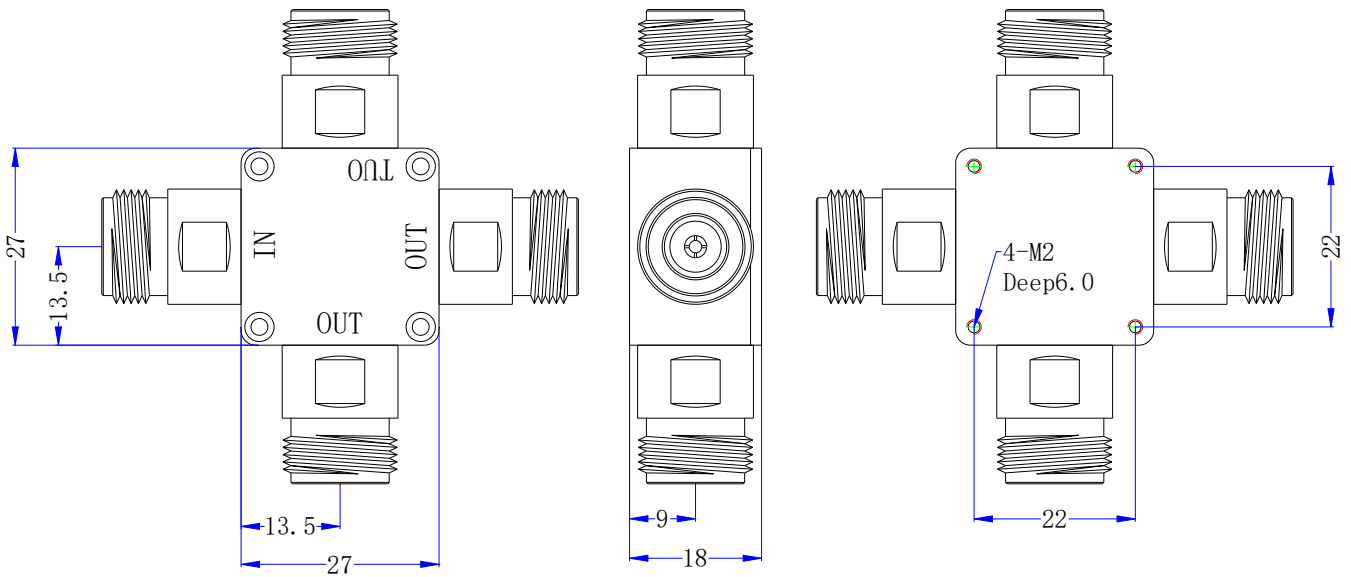


## WT-D0421-03

### 3 Way Resistive Power Divider

### Specifications

| Serial | Parameters      |                                      |
|--------|-----------------|--------------------------------------|
| 1      | Way             | 3                                    |
| 2      | Frequency Range | DC~6.0GHz                            |
| 3      | Insertion Loss  | $\leq 9.5\text{dB} \pm 0.8\text{dB}$ |
| 4      | VSWR            | $\leq 1.2:1$                         |
| 5      | Power Handling  | $\leq 1\text{W}$                     |
| 6      | Impedance       | 50 ohms                              |
| 7      | Connectors      | N-Female                             |
| 8      | Surface Finish  | Gush Arenaceous Guide Oxygen         |
| 9      | Net Weight      | TBD                                  |
| 10     | Configuration   | As Below (Size Unit: mm)             |



WT Microwave INC.

<http://www.wtmicrowave.com> E-mail: [tech@wtmicrowave.com](mailto:tech@wtmicrowave.com) [sales@wtmicrowave.com](mailto:sales@wtmicrowave.com)

<http://www.cdweitong.com> E-mail: [tech@cdweitong.com](mailto:tech@cdweitong.com) [sales@cdweitong.com](mailto:sales@cdweitong.com)

TEL:+86-28-84300332/84300037 FAX:+86-28-84300332-807

Add: Chengdu of China Zip Code:610051