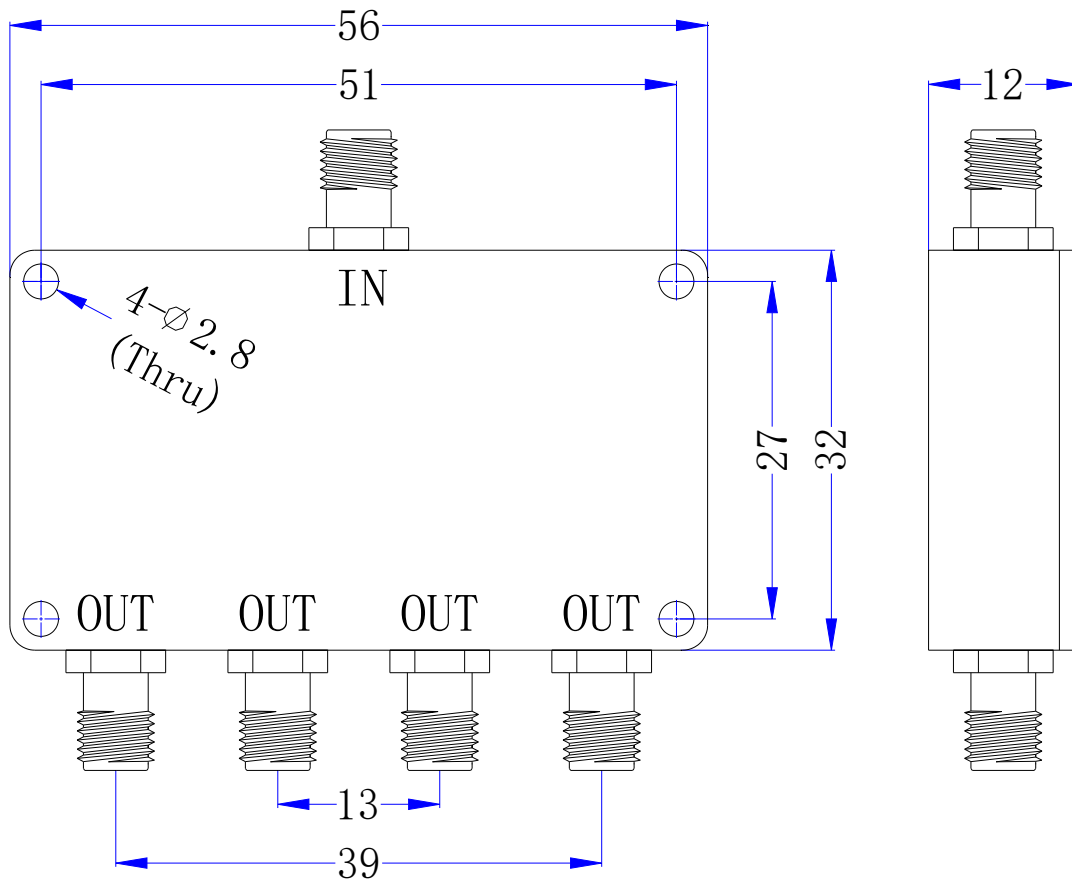


WT-D0374-04

4 Way Resistive Power Divider

Specifications

| Serial | Parameters | |
|--------|-----------------|------------------------------|
| 1 | Way | 4 |
| 2 | Frequency Range | DC~6GHz |
| 3 | Insertion Loss | $\leq 12 \pm 0.8\text{dB}$ |
| 4 | VSWR | $\leq 1.2:1$ |
| 5 | Power Handling | $\leq 1\text{W}$ |
| 6 | Impedance | 50 ohms |
| 7 | Connectors | SMA-Female |
| 8 | Surface Finish | Gush Arenaceous Guide Oxygen |
| 9 | Net Weight | 0.05 KG |
| 10 | Configuration | As Below (Size Unit: mm) |



WT Microwave INC.

<http://www.wtmicrowave.com> E-mail: tech@wtmicrowave.com sales@wtmicrowave.com

<http://www.cdweitong.com> E-mail: tech@cdweitong.com sales@cdweitong.com

TEL: +86-28-84300332/84300037 FAX: +86-28-84300332-807

Add: Chengdu of China Zip Code: 610051