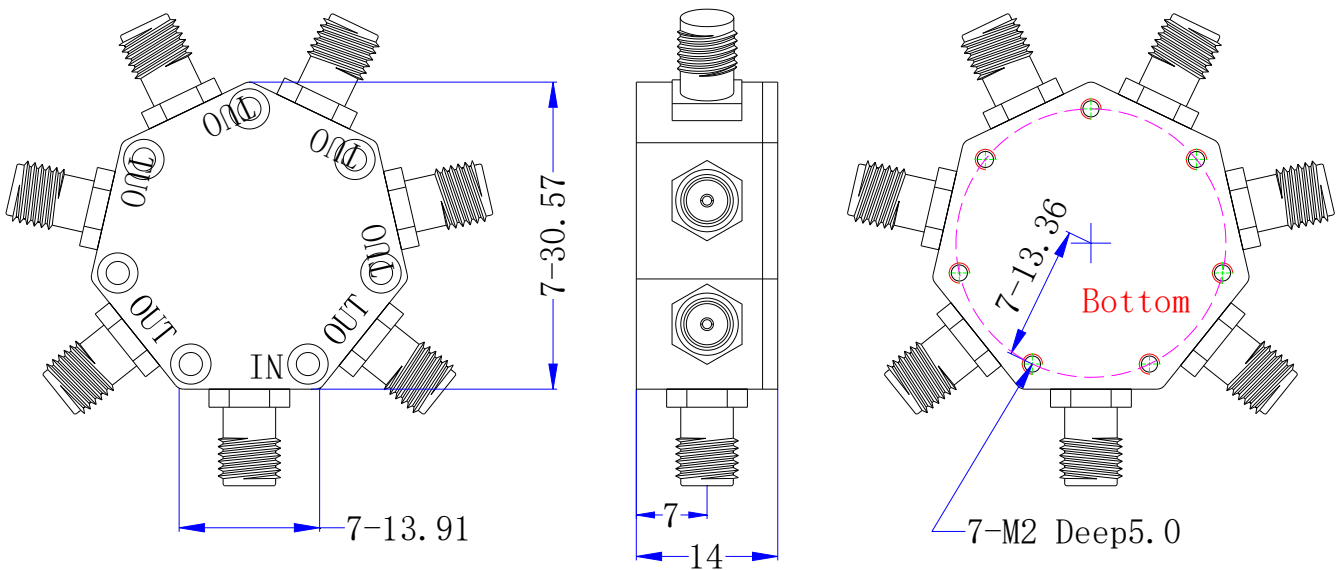


# WT-D0367-06

## Resistive 6 Way Power Divider

### Specifications

Serial	Parameters	
1	Way	6
2	Frequency Range	DC~6GHz
3	Insertion Loss	$\leq 16.0\text{dB} \pm 1.5\text{dB}$
4	VSWR	$\leq 1.2:1$
5	Power Handling	$\leq 1\text{W}$
6	Impedance	50 ohms
7	Connectors	SMA-Female
8	Surface Finish	Gush Arenaceous Guide Oxygen
9	Operating Temperature	-20~+60℃
10	Net Weight	0.03 KG
11	Configuration	As Below (Size Unit: mm)



WT Microwave INC.

<http://www.wtmicrowave.com> E-mail: [tech@wtmicrowave.com](mailto:tech@wtmicrowave.com) [sales@wtmicrowave.com](mailto:sales@wtmicrowave.com)

<http://www.cdweitong.com> E-mail: [tech@cdweitong.com](mailto:tech@cdweitong.com) [sales@cdweitong.com](mailto:sales@cdweitong.com)

TEL:+86-28-84300332/84300037 FAX:+86-28-84300332-807

Add: Chengdu of China Zip Code:610051