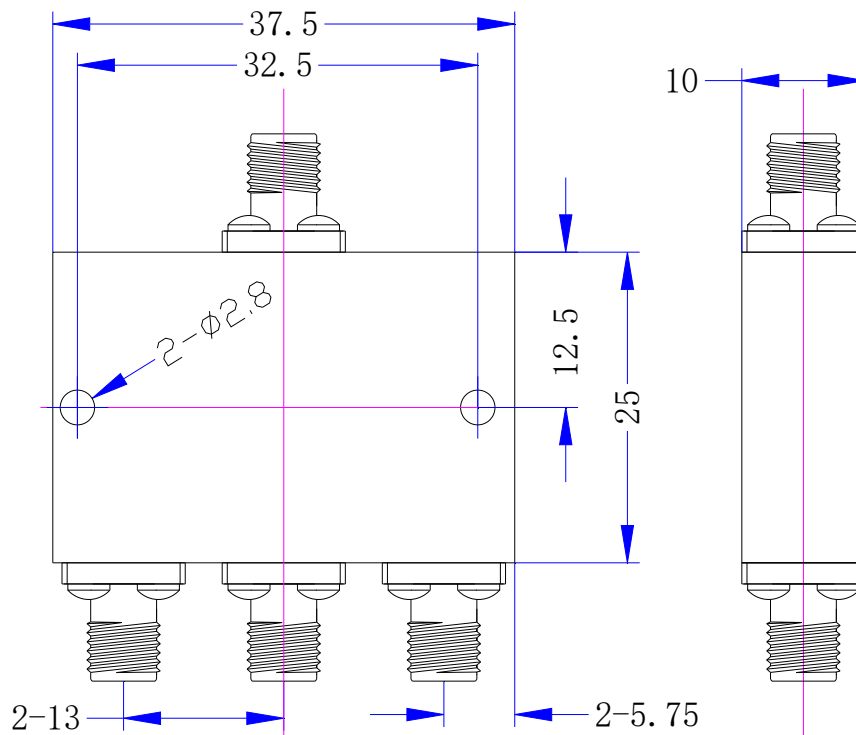


# WT-D0408-03

## 3 Way Power Divider

### Specifications

Serial	Parameters	
1	Way	3
2	Frequency Range	8~18GHz
3	Insertion Loss	≤6.0dB (Contain theory loss 4.8dB)
4	VSWR	≤1.5:1
5	Isolation	≥18dB
6	Amplitude Balance	≤±0.6dB
7	Phase Balance	≤±8°
8	Impedance	50 ohms
9	Power Handling	≤30Watt
10	Connectors	SMA-Female
11	Surface Finish	Black Paint
12	Net Weight	0.031 KG
13	Configuration	As Below (Size Unit: mm)



WT Microwave INC.

<http://www.wtmicrowave.com> E-mail: [tech@wtmicrowave.com](mailto:tech@wtmicrowave.com) [sales@wtmicrowave.com](mailto:sales@wtmicrowave.com)

<http://www.cdweitong.com> E-mail: [tech@cdweitong.com](mailto:tech@cdweitong.com) [sales@cdweitong.com](mailto:sales@cdweitong.com)

TEL:+86-28-84300332/84300037 FAX:+86-28-84300332-807

Add: Chengdu of China Zip Code:610051