

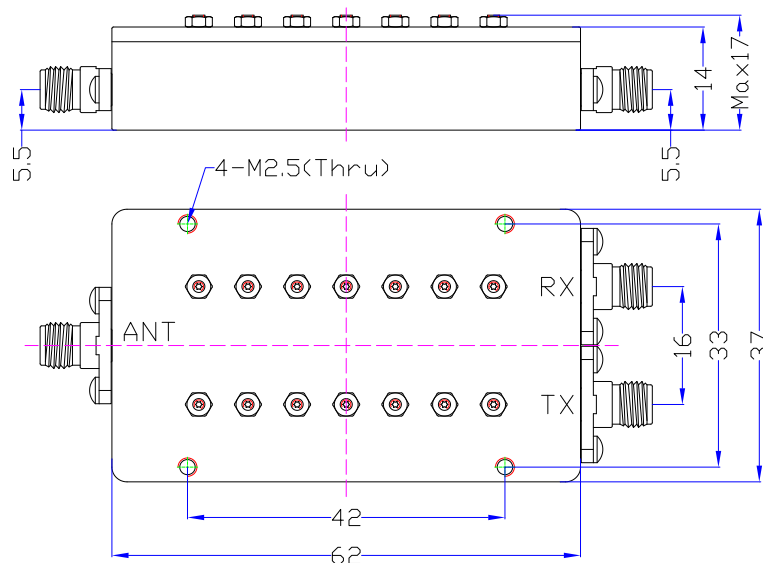
WT-B0553-02

Cavity Diplexer

Technical Data Sheet

S/N	Item	Parameters	
		RX	TX
1	Center Frequency(F0)	6800MHz	9200MHz
2	Pass Band Bandwidth	100MHz (6750 ~ 6850MHz) **	100MHz (9150 ~ 9250MHz) **
3	Pass Band Insertion Loss	≤0.7dB	≤0.7dB
4	Pass Band Ripple	≤0.2dB	≤0.2dB
5	Pass Band Return Loss	≥18dB	≥18dB
6	Stop Band Rejection	≥80dB @ 9150 ~ 9250MHz	≥80dB @ 6750 ~ 6850MHz
7	Isolation	≥80dB @ 6750 ~ 6850MHz , 9150 ~ 9250MHz	
8	Impedance	50 Ohms	
9	Power	80W Max.	
10	Connectors	SMA-Female	
11	Surface Finish	Painted Black	
12	Port Sign	Port 1: ANT ; Port 2: RX ; Port 3: TX	
13	Temperature Range	-30°C ~ +70°C	
14	Material	Housing: H62 Copper alloy Cover: H62 Copper alloy Tuning screw: H62 Copper alloy	Resonant column: H59 Copper alloy Connectors: Stainless Steel Other screw: Stainless Steel
15	Dimensions	62*37*14mm	
16	Net weight	0.165 KG	

Outline Drawing: (Dimensions Unit: mm, Dimensions Tolerance: ±0.3mm)



** The actual design bandwidth will be greater than the Pass Band Bandwidth, and there is no bandwidth limit.