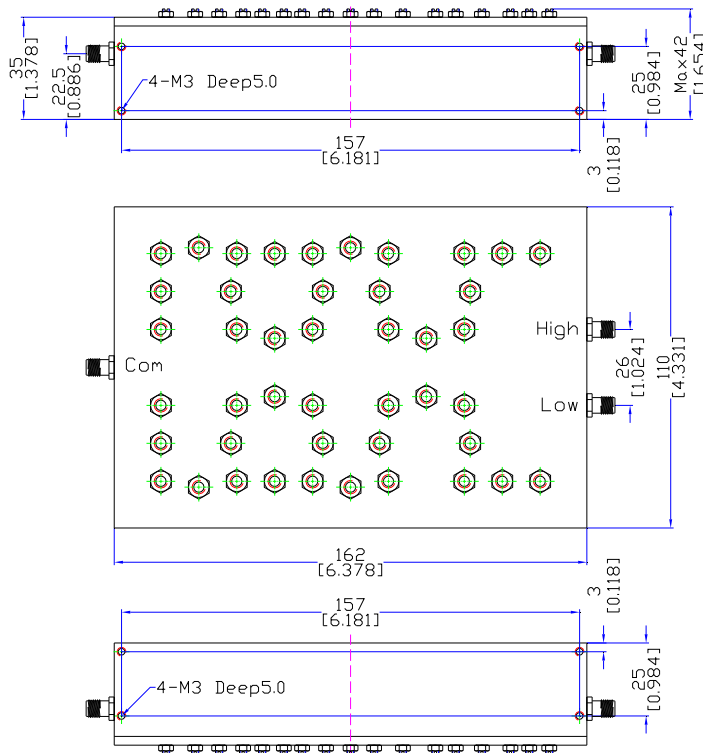


WT-B0018-02

Cavity Diplexer

Specifications

Serial	Parameters	RX	TX
1	Frequency Range	1850~1910MHz	1930~1990MHz
2	Insertion Loss	≤1.5dB@1880MHz	≤1.5dB@1960MHz
3	Passband Ripple	≤1.0dB@1850~1910MHz	≤1.0dB@1930~1990MHz
4	Return Loss	≥17dB	≥17dB
5	Rejection	≥100dB@1930~1990MHz	≥100dB@1850~1910MHz
6	Power	≤50W	
7	Surface Finish	Black Paint	
8	Port Connectors	SMA-Female	
9	Port Sign	Port1:ANT ; Port2:RX ; Port3:TX	
10	Net Weight	TBD	
11	Configuration	As Below	



WT Microwave INC.

http://www.wtmicrowave.com E-mail: tech@wtmicrowave.com sales@wtmicrowave.com

http://www.cdweitong.com E-mail: tech@cdweitong.com sales@cdweitong.com

TEL:+86-28-84300332/84300037 FAX:+86-28-84300332-807

Add: Chengdu of China Zip Code:610051