

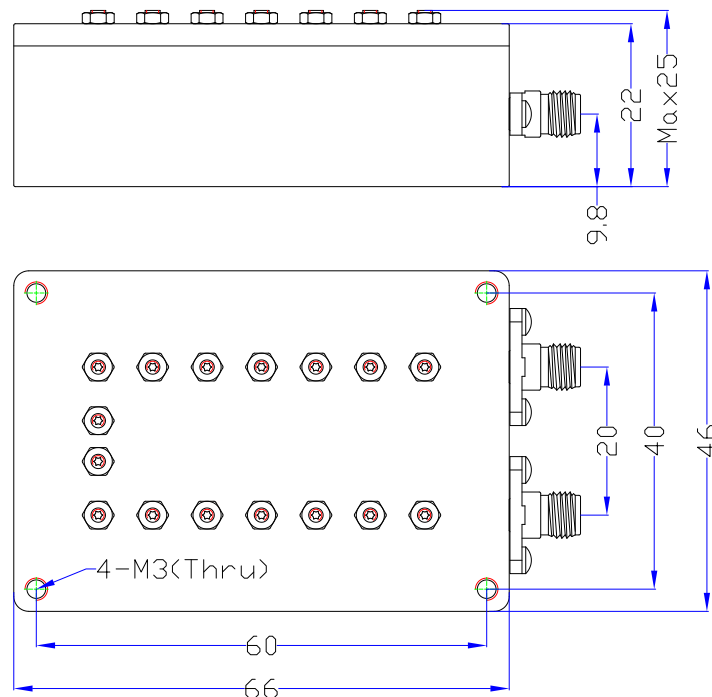
# WT-A9935-Q08

## Cavity Band Pass Filter

### Technical Data Sheet

S/N	Item	Parameters
1	Center Frequency(F0)	1450MHz
2	Pass Band Frequency	1400 ~ 1500MHz **
3	Pass Band Insertion Loss	≤1.3dB
4	Pass Band Ripple	≤0.6dB
5	Pass Band Return Loss	≥20dB
6	Stop Band Rejection	≥40dB @ DC ~ 1350MHz      ≥40dB @ 1550 ~ 8500MHz
7	Impedance	50 Ohms
8	Power Handling	20W Max.
9	Connectors	SMA-Female
10	Surface Finish	Painted Black
11	Temperature Range	-30°C ~ +70°C
12	Material	Housing: 6061 Aluminum alloy      Resonant column: H59 Copper alloy Cover: LY12 Aluminum alloy      Connectors: Stainless Steel Tuning screw: H62 Copper alloy      Other screw: Stainless Steel
13	Dimensions	66*46*22mm
14	Net weight	0.12 KG

Outline Drawing: (Dimensions Unit: mm, Dimensions Tolerance: ±0.3mm)



\*\* The actual design bandwidth will be greater than the Pass Band Frequency, and there is no bandwidth limit.