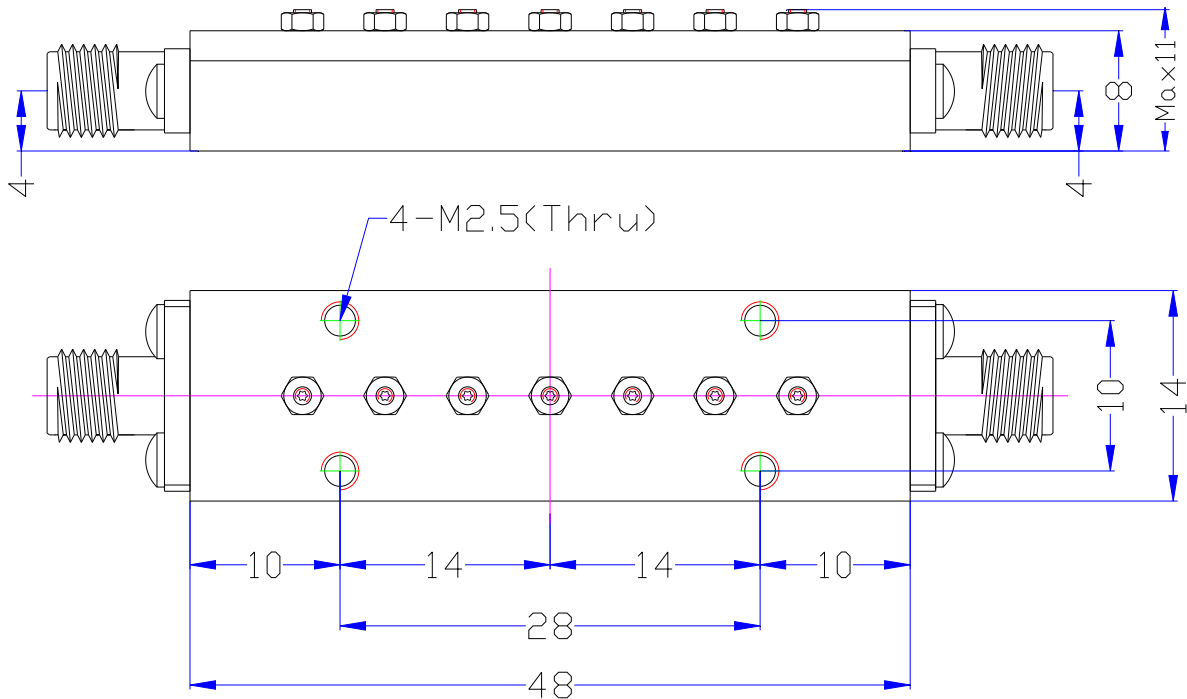


# WT-A5024-Q07

## Cavity Band Pass Filter

### Specifications

Serial	Parameters	
1	Center Frequency (F0)	27.5GHz
2	1dB Pass Band Bandwidth	1.0GHz (27~28GHz)
3	Pass Band Insertion Loss	≤1.5dB
4	Pass Band VSWR	≤1.5:1
5	Stop Band Rejection	≥30dB @ DC~26GHz ≥30dB @ 29~35GHz
6	Impedance	50 ohms
7	Power Handling	≤5W
8	Connectors	2.92mm(K)-Female
9	Surface Finish	Black Paint
10	Temperature Range	-30℃ ~ +70℃
11	Net Weight	0.0402 KG
12	Configuration	As Below (Size Unit: mm)



WT Microwave INC.

<http://www.wtmicrowave.com> E-mail: [tech@wtmicrowave.com](mailto:tech@wtmicrowave.com) [sales@wtmicrowave.com](mailto:sales@wtmicrowave.com)

<http://www.cdweitong.com> E-mail: [tech@cdweitong.com](mailto:tech@cdweitong.com) [sales@cdweitong.com](mailto:sales@cdweitong.com)

TEL:+86-28-84300332/84300037 FAX:+86-28-84300332-807

Add: Chengdu of China Zip Code:610051