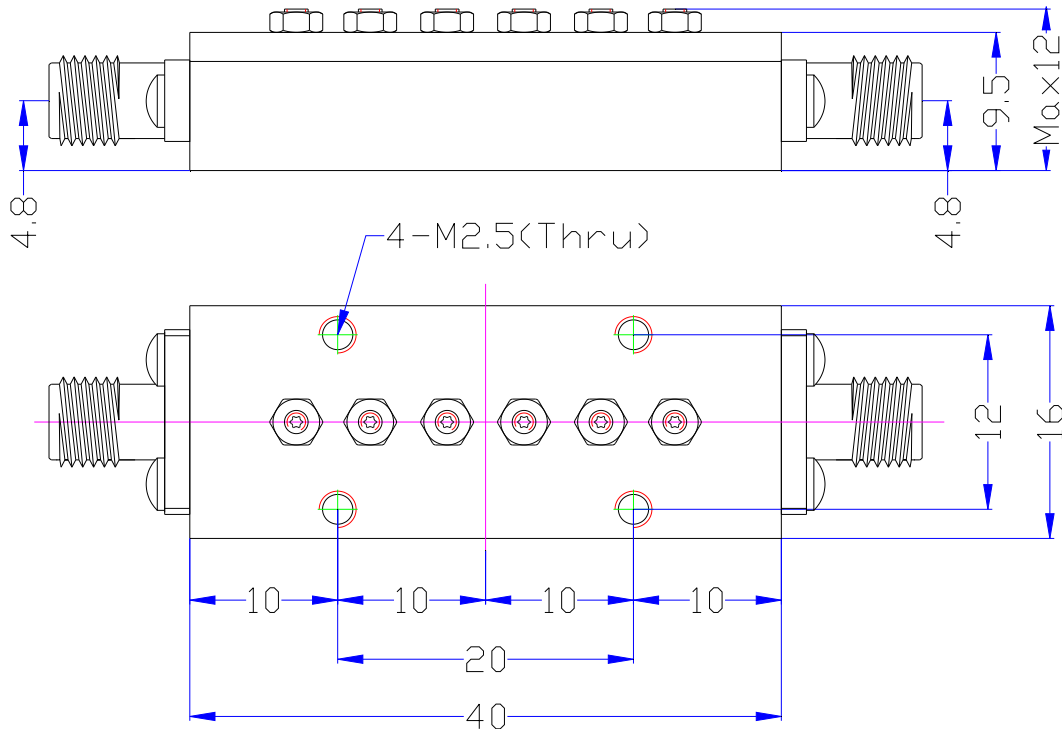


WT-A4793-Q06

Cavity Band Pass Filter

Specifications

Serial	Parameters	
1	Center Frequency (F0)	18GHz
2	Pass Band Frequency	17.5~18.5GHz
3	Pass Band Insertion Loss	≤1.0dB
4	Pass Band VSWR	≤1.3:1
5	Stop Band Attenuation	≥45dB @ DC~16GHz ≥45dB @ 20~28GHz
6	Impedance	50 ohms
7	Power Handling	≤5W
8	Connectors	SMA-Female
9	Surface Finish	Black Paint
10	Temperature Range	-30°C ~ +70°C
11	Net Weight	0.045 KG
12	Configuration	As Below (Size Unit: mm)



WT Microwave INC.

<http://www.wtmicrowave.com> E-mail: tech@wtmicrowave.com sales@wtmicrowave.com

<http://www.cdweitong.com> E-mail: tech@cdweitong.com sales@cdweitong.com

TEL: +86-28-84300332/84300037 FAX: +86-28-84300332-807

Add: Chengdu of China Zip Code: 610051