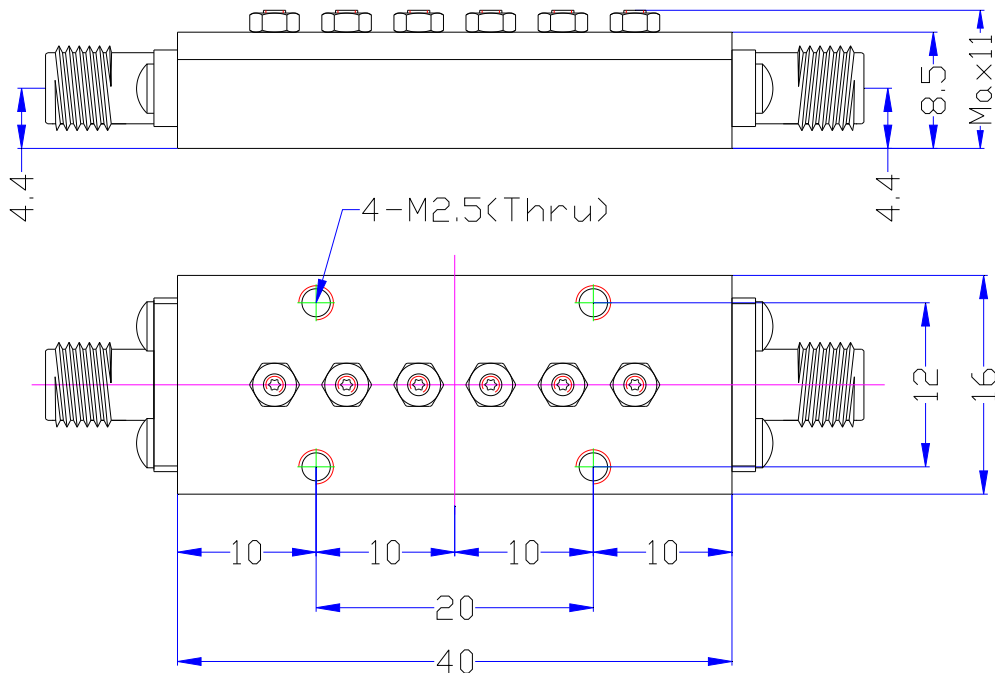


WT-A4792-Q06

Cavity Band Pass Filter

Specifications

Serial	Parameters	
1	Center Frequency (F0)	24GHz
2	Pass Band Frequency	23.5~24.5GHz
3	Pass Band Insertion Loss	≤1.0dB
4	Pass Band VSWR	≤1.3:1
5	Stop Band Attenuation	≥45dB @ 22GHz ≥45dB @ 26GHz ≥65dB @ DC~20GHz ≥65dB @ 28~33GHz
6	Impedance	50 ohms
7	Power Handling	≤5W
8	Connectors	SMA-Female
9	Surface Finish	Black Paint
10	Temperature Range	-30°C ~ +70°C
11	Net Weight	0.04 KG
12	Configuration	As Below (Size Unit: mm)



WT Microwave INC.

http://www.wtmicrowave.com E-mail: tech@wtmicrowave.com sales@wtmicrowave.com

http://www.cdweitong.com E-mail: tech@cdweitong.com sales@cdweitong.com

TEL:+86-28-84300332/84300037 FAX:+86-28-84300332-807

Add: Chengdu of China Zip Code:610051