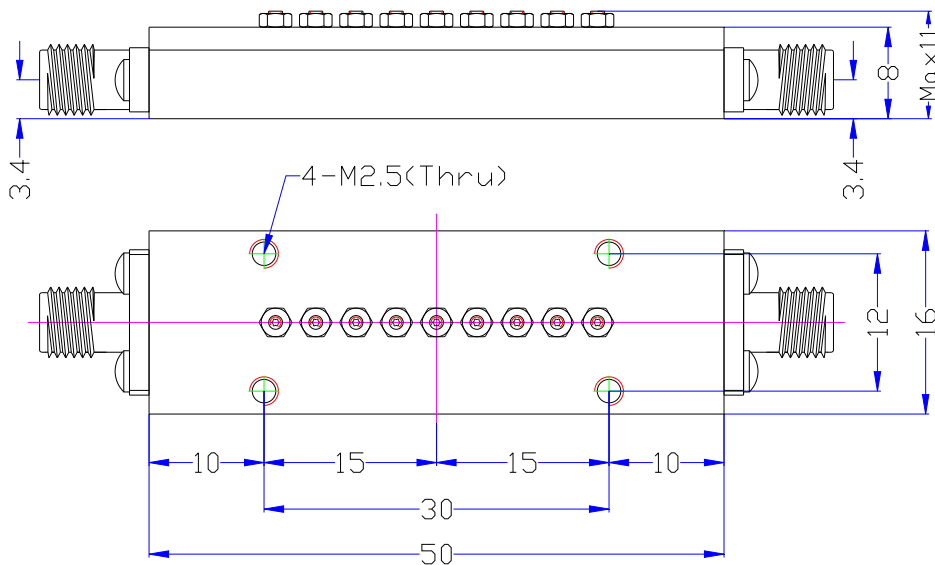


WT-A4686-Q05

Cavity Band Pass Filter

Specifications

Serial	Parameters	
1	Center Frequency(F0)	31700MHz
2	Pass Band Bandwidth	40MHz (31680~31720MHz)
3	Pass Band Insertion Loss	≤5.0dB
4	Pass Band Return Loss	≥15dB
5	Stop Band Attenuation	≥20dB @ 0~31600MHz ≥20dB @ 31800~41000MHz
6	Impedance	50 ohms
7	Power Handling	≤5W
8	Connectors	2.92mm(K)-Female
9	Temperature Range	+20℃~+55℃
10	Surface Finish	Black Paint
11	Material	Housing: H62 Copper alloy Cover: H62 Copper alloy Tuning screw: H62 Copper alloy Connectors: Stainless Steel Other screw: Stainless Steel
12	Net weight	0.05 KG
13	Configuration	As Below (Size Unit: mm)



WT Microwave INC.

http://www.wtmicrowave.com E-mail: tech@wtmicrowave.com sales@wtmicrowave.com

http://www.cdweitong.com E-mail: tech@cdweitong.com sales@cdweitong.com

TEL:+86-28-84300332/84300037 FAX:+86-28-84300332-807

Add: Chengdu of China Zip Code:610051