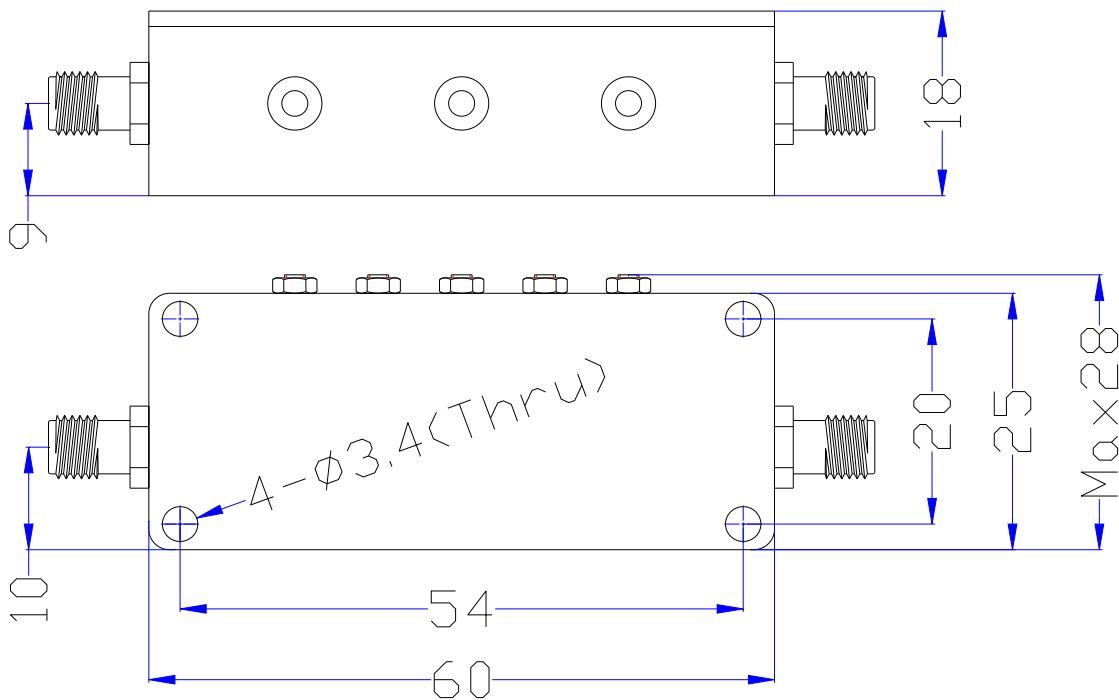


## WT-A4536-Q03

### Cavity Band Pass Filter

### Specifications

Serial	Parameters	
1	Center Frequency (F0)	2680MHz
2	Pass Band Frequency	2670~2690MHz
3	Pass Band Insertion Loss	≤1.0dB
4	Pass Band VSWR	≤1.3:1
5	Stop Band Attenuation	≥40dB @ F0±200MHz (0~2480MHz、2880~5000MHz)
6	Number of Sections	3 sections
7	Impedance	50 ohms
8	Power Handling	≤10W
9	Connectors	SMA-Female
10	Operating Temperature	-30°C ~ +70°C
11	Surface Finish	Guided Oxygen (Aluminum Color)
12	Net Weight	0.045 KG
13	Configuration	As Below (Size Unit: mm)



WT Microwave INC.

http://www.wtmicrowave.com E-mail: tech@wtmicrowave.com sales@wtmicrowave.com

http://www.cdweitong.com E-mail: tech@cdweitong.com sales@cdweitong.com

TEL:+86-28-84300332/84300037 FAX:+86-28-84300332-807

Add: Chengdu of China Zip Code:610051