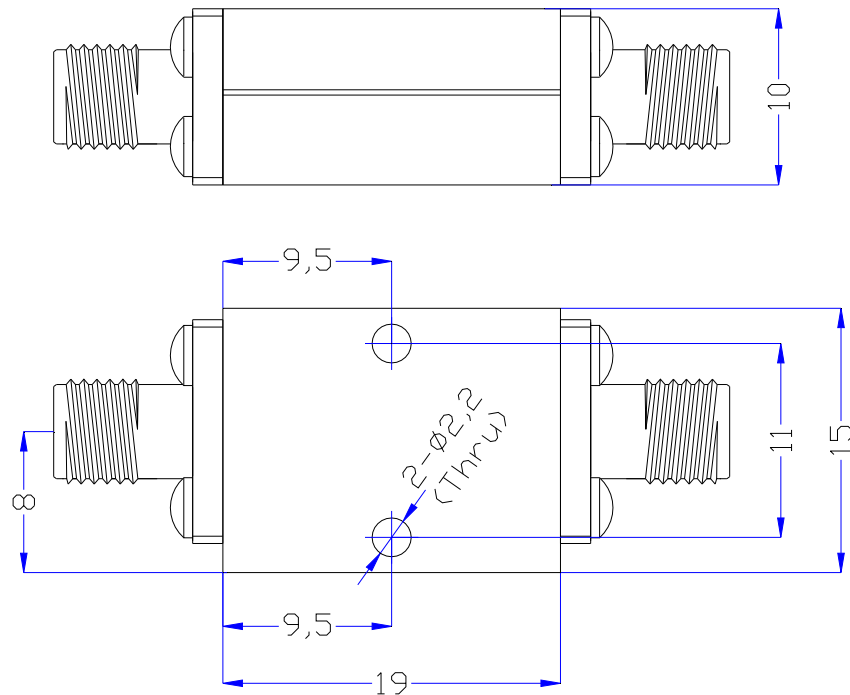


# WT-A3011-HS

## 9.0-28GHz High Pass Filter

### Specifications

Serial	Parameters	
1	Cut Off Frequency	9.0GHz
2	Pass Band Frequency	9.0~28GHz
3	Pass Band Insertion Loss	≤1.5dB @ 9.0~9.4GHz ≤1.0dB @ 9.4~28GHz
4	Pass Band VSWR	≤1.5:1 @ 9.0~20GHz ≤1.8:1 @ 20~28GHz
5	Stop Band Attenuation	≥50dB @ DC~7.45GHz
6	Impedance	50 ohms
7	Power	≤15W
8	Connectors	SMA-Female
9	Surface Finish	Guided Oxygen or Black Paint
10	Temperature Range	-55℃~+85℃
11	Net weight	0.01 KG
12	Configuration	As Below (Size Unit: mm)



WT Microwave INC.

<http://www.wtmicrowave.com> E-mail: [tech@wtmicrowave.com](mailto:tech@wtmicrowave.com) [sales@wtmicrowave.com](mailto:sales@wtmicrowave.com)

<http://www.cdweitong.com> E-mail: [tech@cdweitong.com](mailto:tech@cdweitong.com) [sales@cdweitong.com](mailto:sales@cdweitong.com)

TEL:+86-28-84300332/84300037 FAX:+86-28-84300332-807

Add: Chengdu of China Zip Code:610051