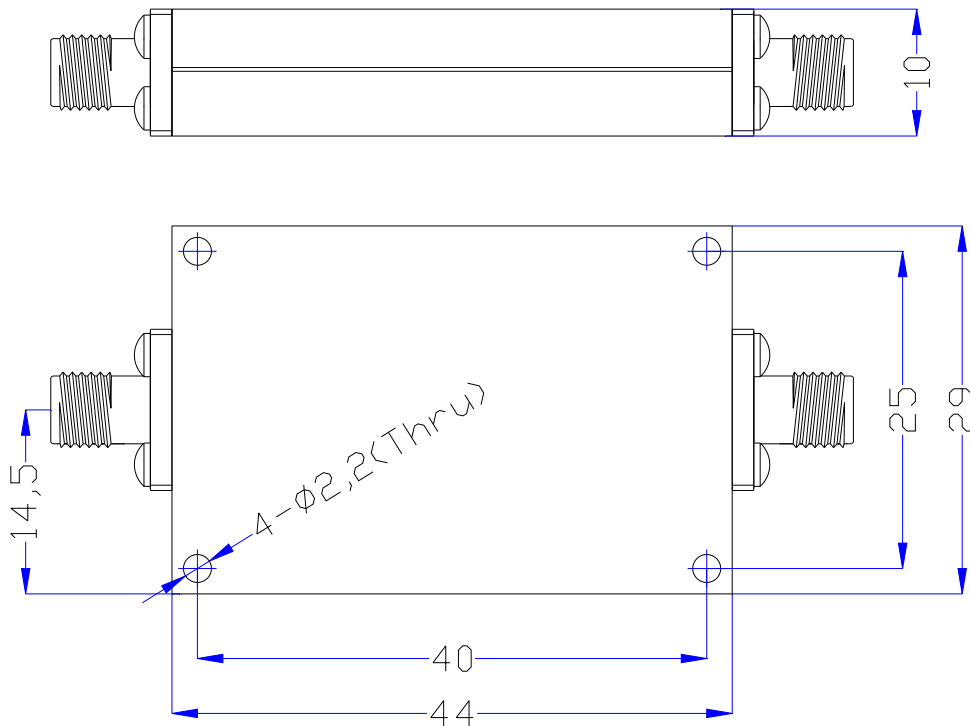


## WT-A2833-HS

### 3.0-18GHz High Pass Filter

### Specifications

Serial	Parameters	
1	Cut Off Frequency	3.0GHz
2	Pass Band Frequency	3.0~18GHz
3	Pass Band Insertion Loss	≤2.0dB @ 3.0~3.2GHz ≤1.0dB @ 3.2~18GHz
4	Pass Band VSWR	≤1.5:1
5	Stop Band Attenuation	≥60dB @ DC~2.6GHz
6	Impedance	50 ohms
7	Power	≤15W
8	Connectors	SMA-Female
9	Surface Finish	Guided Oxygen or Black Paint
10	Temperature Range	-55℃ ~ +85℃
11	Net weight	0.04 KG
12	Configuration	As Below (Size Unit: mm)



WT Microwave INC.

<http://www.wtmicrowave.com> E-mail: [tech@wtmicrowave.com](mailto:tech@wtmicrowave.com) [sales@wtmicrowave.com](mailto:sales@wtmicrowave.com)

<http://www.cdweitong.com> E-mail: [tech@cdweitong.com](mailto:tech@cdweitong.com) [sales@cdweitong.com](mailto:sales@cdweitong.com)

TEL:+86-28-84300332/84300037 FAX:+86-28-84300332-807

Add: Chengdu of China Zip Code:610051