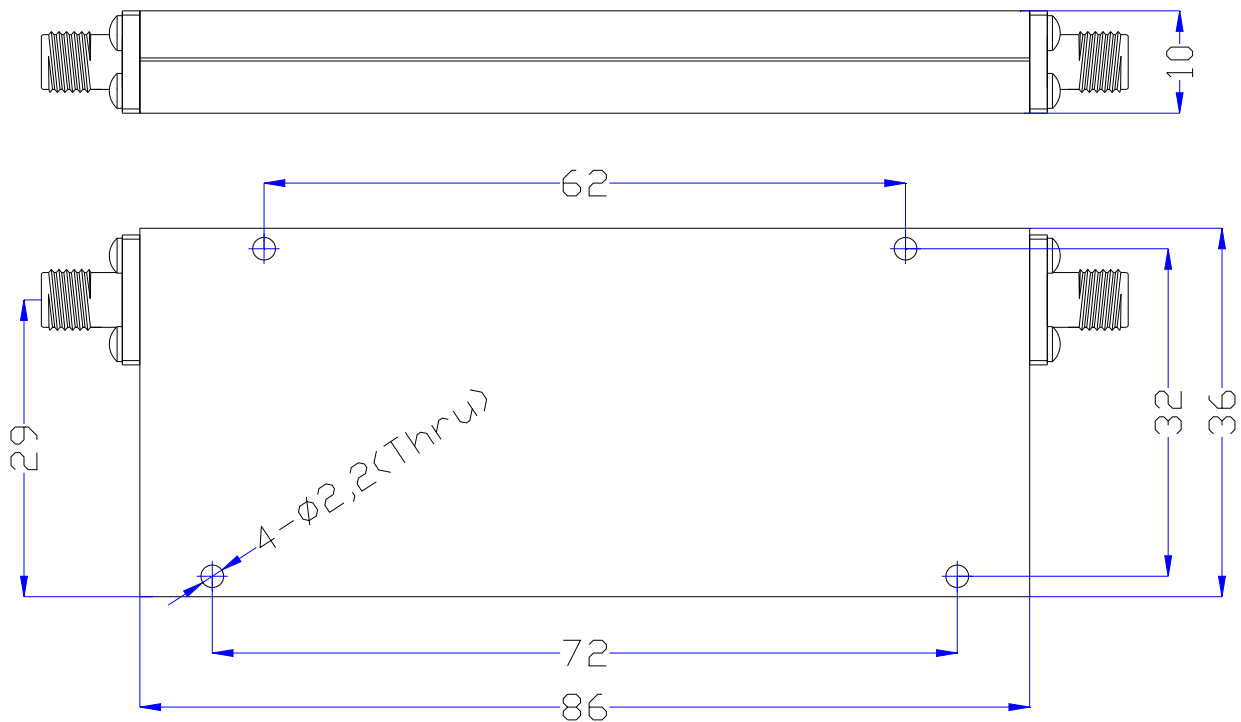


WT-A1790-HS

1.25-7.0GHz High Pass Filter

Specifications

Serial	Parameters	
1	Cut Off Frequency	1.25GHz
2	Pass Band Frequency	1.25~7.0GHz
3	Pass Band Insertion Loss	$\leq 2.0\text{dB @ } 1.25\sim 1.4\text{GHz}$ $\leq 1.0\text{dB @ } 1.4\sim 7.0\text{GHz}$
4	Pass Band VSWR	$\leq 1.5:1$
5	Stop Band Attenuation	$\geq 60\text{dB @ } \text{DC}\sim 1.04\text{GHz}$
6	Impedance	50 ohms
7	Power	$\leq 15\text{W}$
8	Connectors	SMA-Female
9	Surface Finish	Guided Oxygen or Black Paint
10	Temperature Range	$-55^{\circ}\text{C} \sim +85^{\circ}\text{C}$
11	Net weight	0.085 KG
12	Configuration	As Below (Size Unit: mm)



WT Microwave INC.

<http://www.wtmicrowave.com> E-mail: tech@wtmicrowave.com sales@wtmicrowave.com

<http://www.cdweitong.com> E-mail: tech@cdweitong.com sales@cdweitong.com

TEL:+86-28-84300332/84300037 FAX:+86-28-84300332-807

Add: Chengdu of China Zip Code:610051