

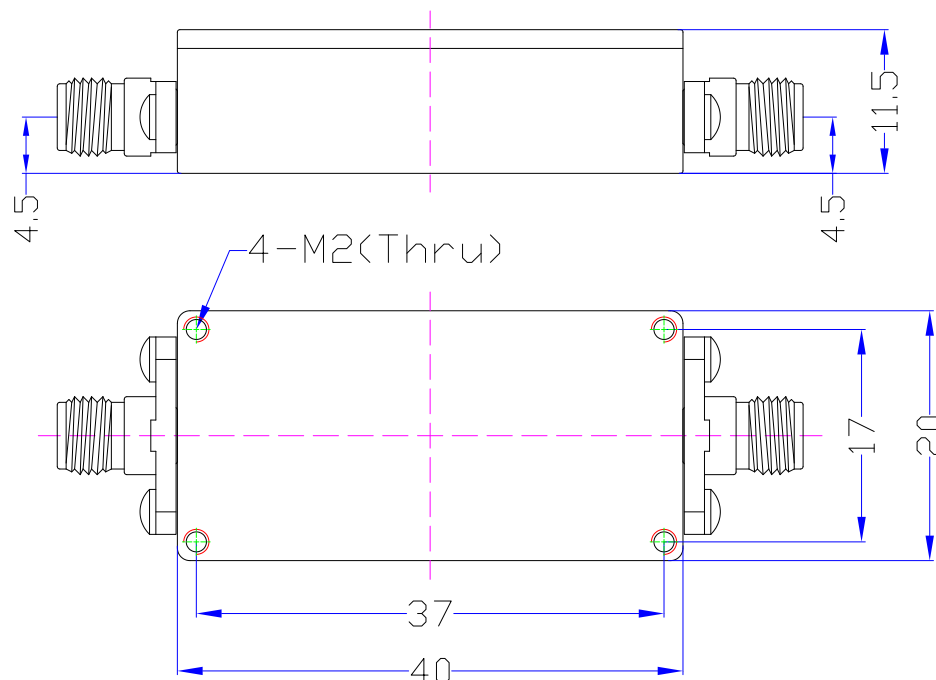
WT-A10258-BLC

LC Band Pass Filter

Technical Data Sheet

S/N	Item	Parameters
1	Center Frequency	1750MHz
2	Pass Band Frequency	1500 ~ 2000MHz **
3	Pass Band Insertion Loss	≤1.2dB @ 1750MHz ≤2.5dB @ 1500 ~ 2000MHz
4	Pass Band Ripple	≤1.7dB
5	Pass Band Return Loss	≥15dB
6	Stop Band Attenuation	≥30dB @ DC ~ 1300MHz ≥30dB @ 2100 ~ 6000MHz
7	Impedance	50 Ohms
8	Power Handling	3.0W Max.
9	Connectors	SMA-Female
10	Surface Finish	Painted Black
11	Temperature Range	-10°C ~ +50°C
12	Material	Housing: 6061 Aluminum alloy Connectors: Stainless Steel Cover: LY12 Aluminum alloy Other screw: Stainless Steel
13	Dimensions	40*20*11.5mm
14	Net weight	0.021 KG

Outline Drawing: (Dimensions Unit: mm, Dimensions Tolerance: ±0.3mm)



** The actual design bandwidth will be greater than the Pass Band Frequency, and there is no bandwidth limit.