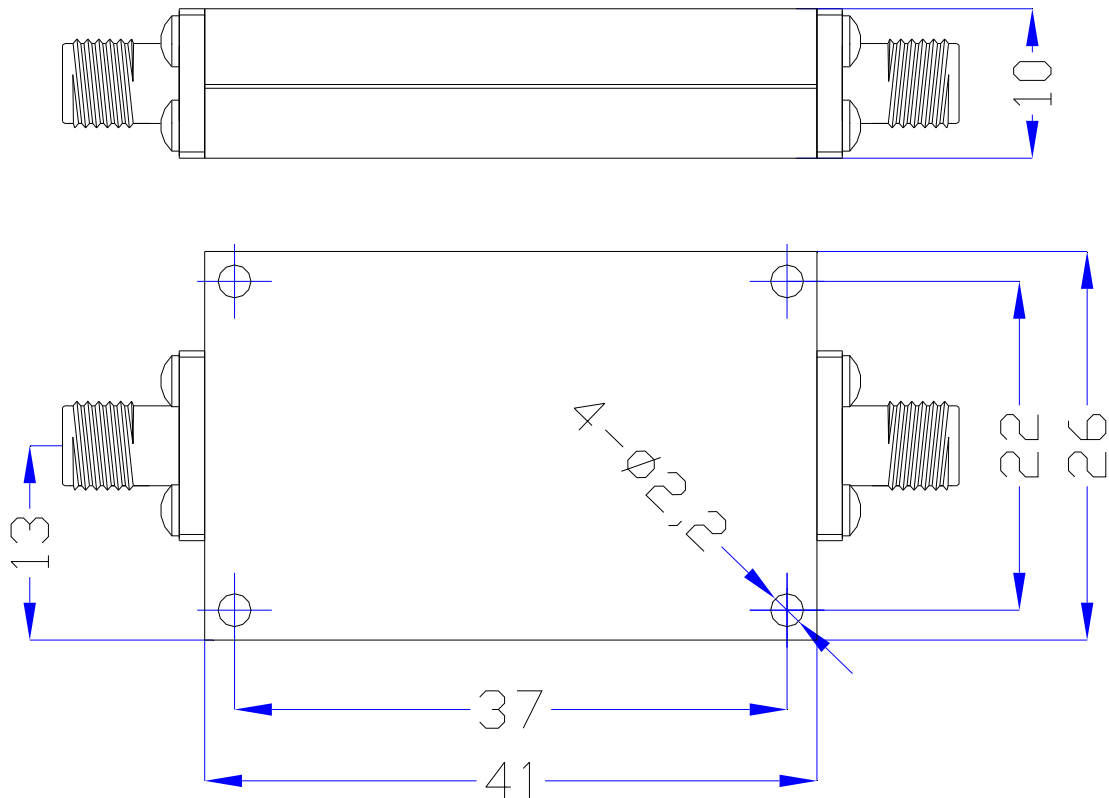


WT-A0694-HS

High Pass Filter

Specifications

Serial	Parameters	
1	3dB Cutoff	3900MHz
2	Pass Band Frequency	4000~8000MHz
3	Insertion Loss	≤0.95dB@ 4500~8000MHz ≤2.0dB@ 4000~4500MHz
4	Ripple	≤2.0dB@ 4000~8000MHz
5	VSWR	≤1.6:1@ 4000~8000MHz
6	Rejection	≥60dB @ 2000~3500MHz
7	Connectors	SMA-Female
8	Surface Finish	Guide Oxygen or Black Paint
9	Configuration	As Below (Size Unit: mm)



WT Microwave INC.

<http://www.wtmicrowave.com> E-mail: tech@wtmicrowave.com sales@wtmicrowave.com

<http://www.cdweitong.com> E-mail: tech@cdweitong.com sales@cdweitong.com

TEL:+86-28-84300332/84300037 FAX:+86-28-84300332-807

Add: Chengdu of China Zip Code:610051