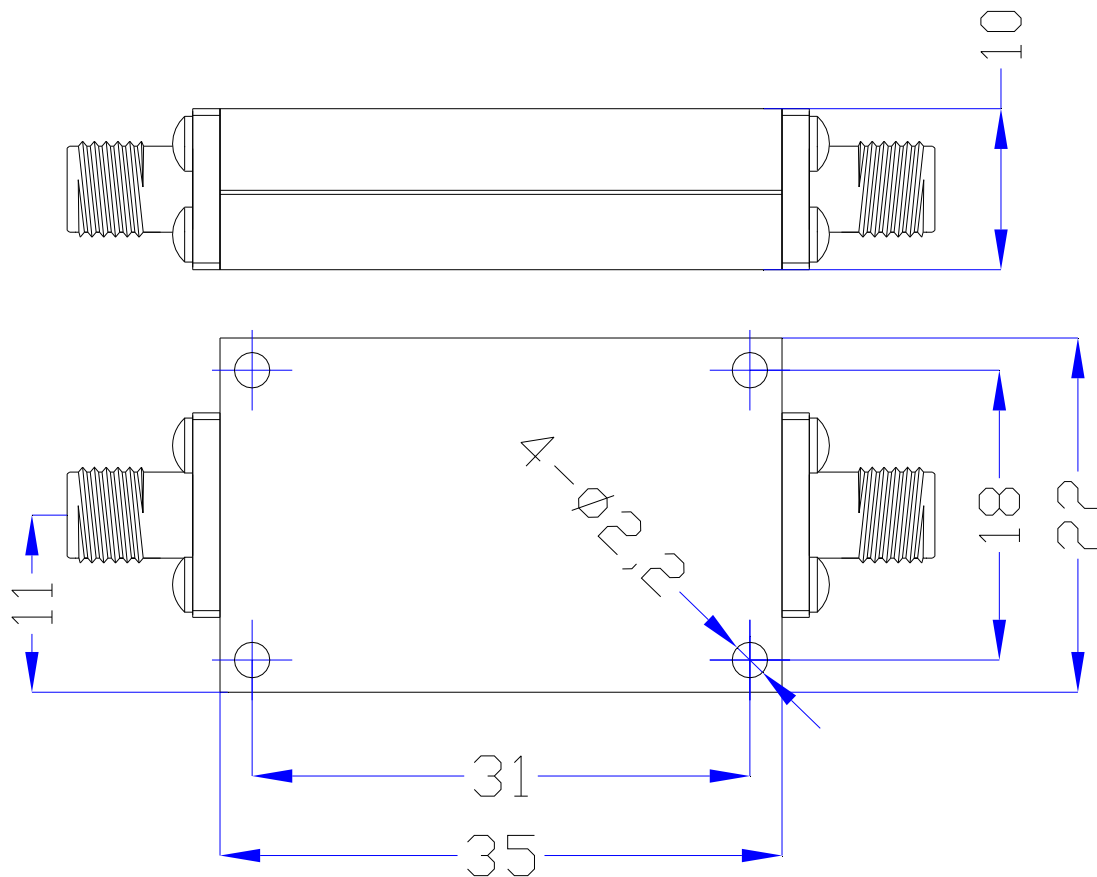


WT-A0137-LS

悬置基片带线低通滤波器

技术指标

Serial	Parameters	
1	3dB Cut Off	6 GHz
2	1dB Pass Band	DC~5.4 GHz
3	VSWR	≤2.0:1
4	Stop Band	≥45dB @ 6.9~14 GHz
5	Average Power	15W
6	Surface Finish	Guide Oxygen or Black Paint
7	Port Connectors	SMA-Female
8	Configuration	As Below



成都微通科技有限公司

Chengdu Microwave Communication Technology CO.,Ltd

<http://www.cdweitong.com> E-mail:tech@cdweitong.com sales@cdweitong.com

TEL:+86-028-84300332 FAX:+86-028-84300332

地址:中国 成都市高新区桂溪路 223 号 610041

Add:No.223,Guixi Road,Chengdu 610041,China Zip Code:610041