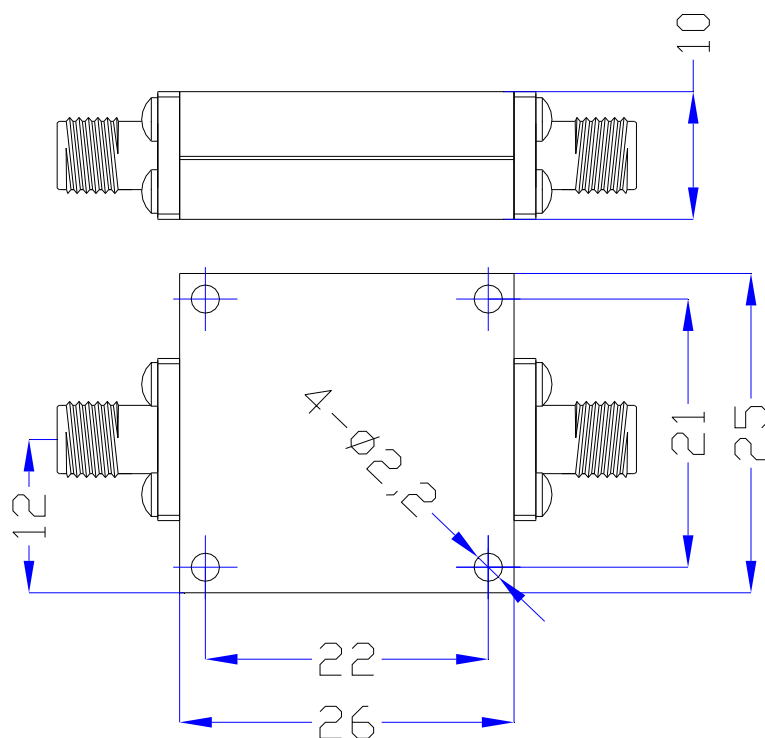


## WT-A0107-HS

### 悬置基片带线高通滤波器

#### 技术指标

Serial	Parameters	
1	3dB Cut Off	5 GHz
2	1dB Pass Band	5.5~16GHz
3	VSWR	≤2.0:1
4	Stop Band	≥45dB @ DC~4.25GHz
5	Average Power	15 W
6	Surface Finish	Guide Oxygen or Black Paint
7	Port Connectors	SMA-Female
8	Configuration	As Below



#### 成都微通科技有限公司

Chengdu Microwave Communication Technology CO.,Ltd  
<http://www.cdweitong.com> E-mail:tech@cdweitong.com sales@cdweitong.com  
 TEL:+86-028-84300332 FAX:+86-028-84300332  
 地址:中国 成都市建设路 43 号 610051  
 Add:No.43,Jianshe Road,Chengdu.China Zip Code:610051