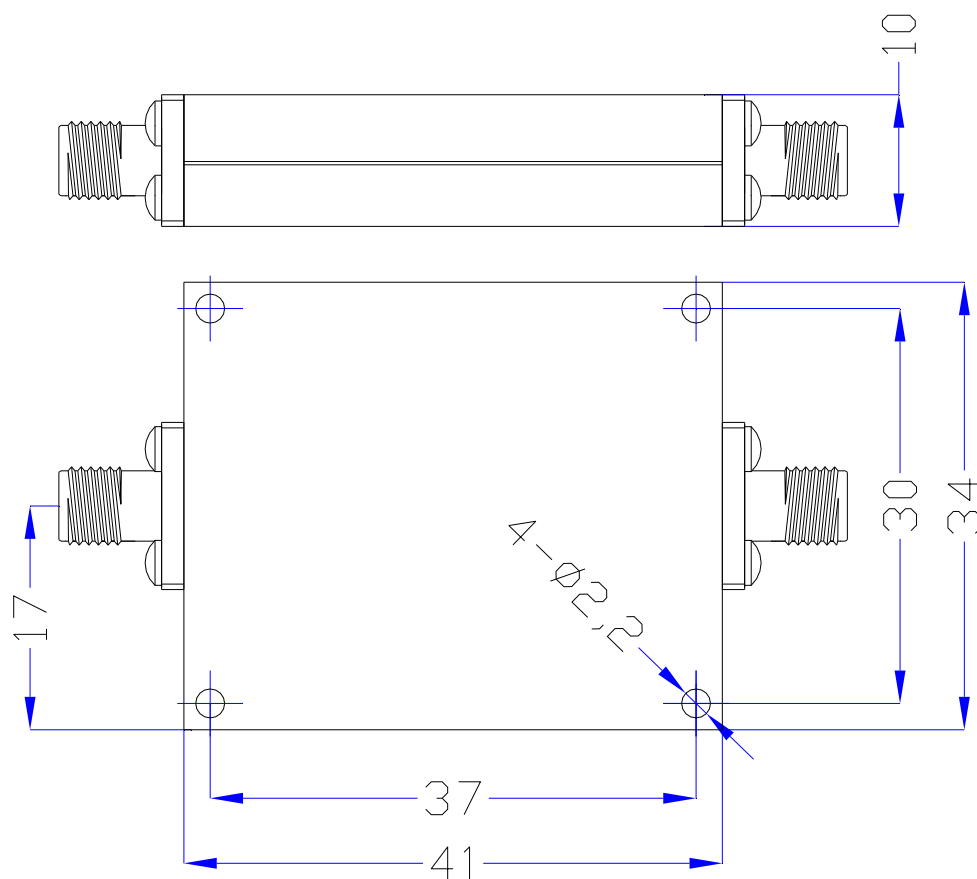


WT-A0106-LS

悬置基片带线低通滤波器

技术指标

Serial	Parameters	
1	3dB Cut Off	3 GHz
2	1dB Pass Band	DC~2.7 GHz
3	VSWR	≤1.5:1
4	Stop Band	≥45dB @ 3.45~8 GHz
5	Average Power	15W
6	Surface Finish	Guide Oxygen or Black Paint
7	Port Connectors	SMA-Female
8	Net Weight	0.04 KG
9	Configuration	As Below



成都微通科技有限公司

Chengdu Microwave Communication Technology CO.,Ltd

http://www.cdweitong.com E-mail:tech@cdweitong.com sales@cdweitong.com

TEL:+86-028-84300332 FAX:+86-028-84300332

地址:中国 成都市建设路 43 号 610051

Add:No.43,Jianshe Road,Chengdu.China Zip Code:610051