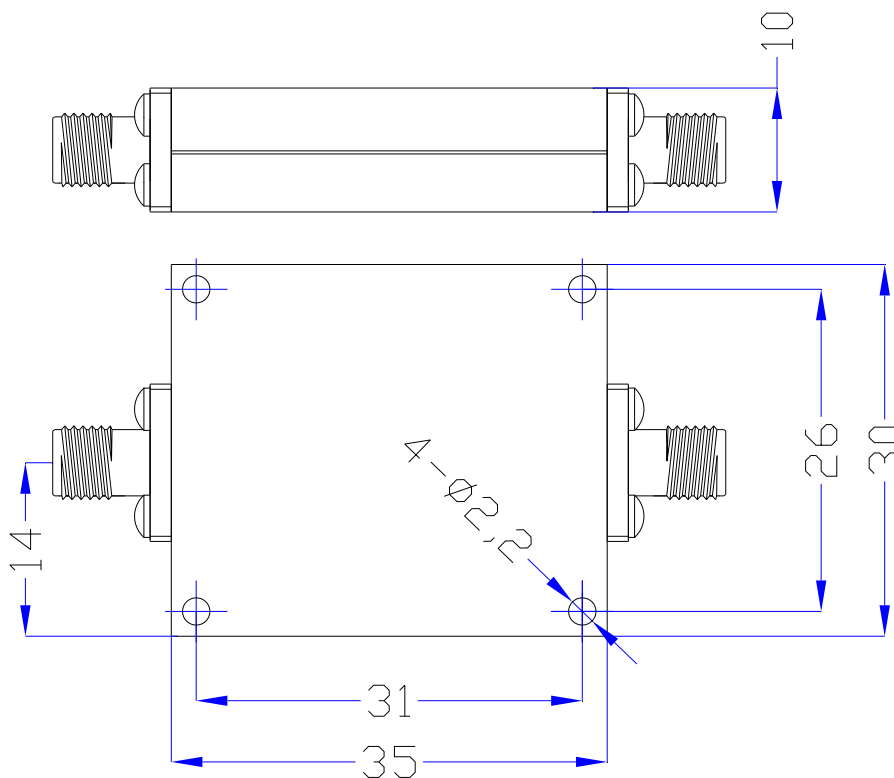


WT-A0103-HS

悬置基片带线高通滤波器

技术指标

Serial	Parameters	
1	Passband Frequency	3000~12750MHz
2	Insertion Loss	≤1.5dB
3	Return Loss	≥10dB
4	Rejection	≥50dB @ DC~2500MHz
5	Power Handling in Passband	30W Avg Max
6	Operating Temperature	15°C to 40°C
7	Surface Finish	Guide Oxygen or Black Paint
8	Port Connectors	SMA-Female
9	Configuration	As Below



成都微通科技有限公司

Chengdu Microwave Communication Technology CO.,Ltd

<http://www.cdweitong.com> E-mail:tech@cdweitong.com sales@cdweitong.com

TEL:+86-028-84300332 FAX:+86-028-84300332

地址:中国 成都市建设路 43 号 610051

Add:No.43,Jianshe Road,Chengdu.China Zip Code:610051