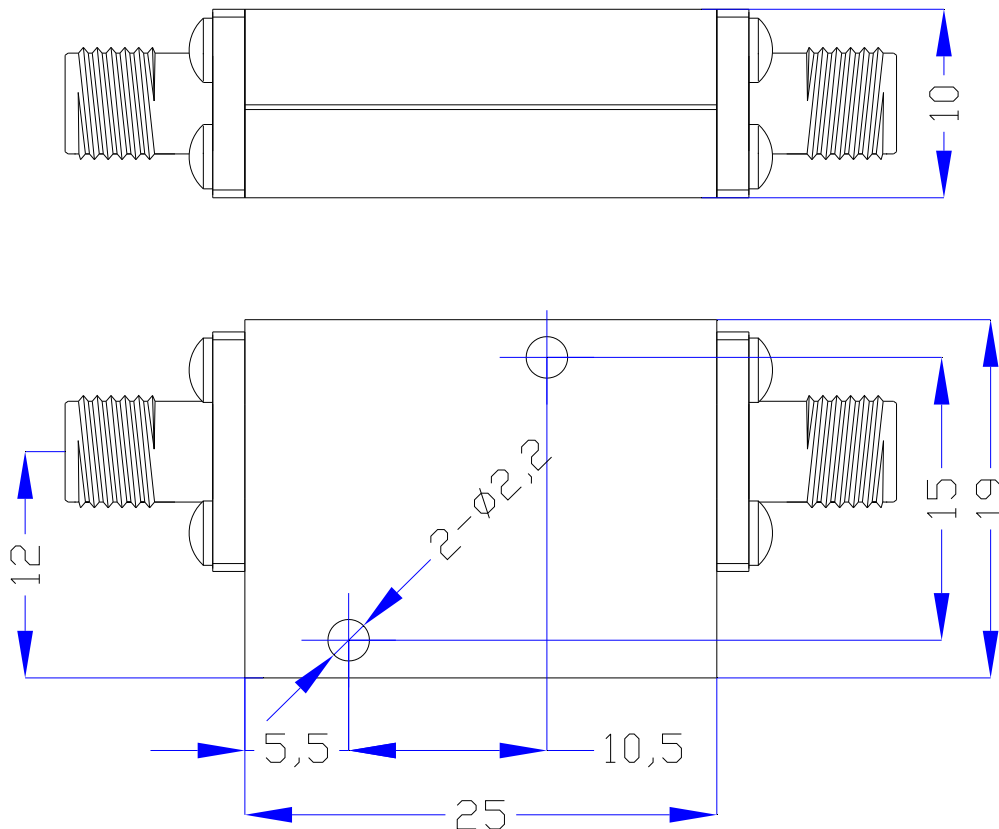


# WT-A0079-LS

## DC-8.1GHz Low Pass Filter

### Specifications

Serial	Parameters	
1	3dB Cut Off Frequency	9GHz
2	1dB Pass Band Frequency	DC~8.1GHz
3	VSWR	≤2.0:1
4	Rejection	≥45dB @ 10.4~16.5 GHz
5	Impedance	50 ohms
6	Average Power	≤15W
7	Connectors	SMA-Female
8	Surface Finish	Guided Oxygen or Black Paint
9	Temperature Range	-55°C ~+85°C
10	Net weight	TBD
11	Configuration	As Below (Size Unit: mm)



WT Microwave INC.

<http://www.wtmicrowave.com> E-mail: [tech@wtmicrowave.com](mailto:tech@wtmicrowave.com) [sales@wtmicrowave.com](mailto:sales@wtmicrowave.com)

<http://www.cdweitong.com> E-mail: [tech@cdweitong.com](mailto:tech@cdweitong.com) [sales@cdweitong.com](mailto:sales@cdweitong.com)

TEL:+86-28-84300332/84300037 FAX:+86-28-84300332-807

Add: Chengdu of China Zip Code:610051